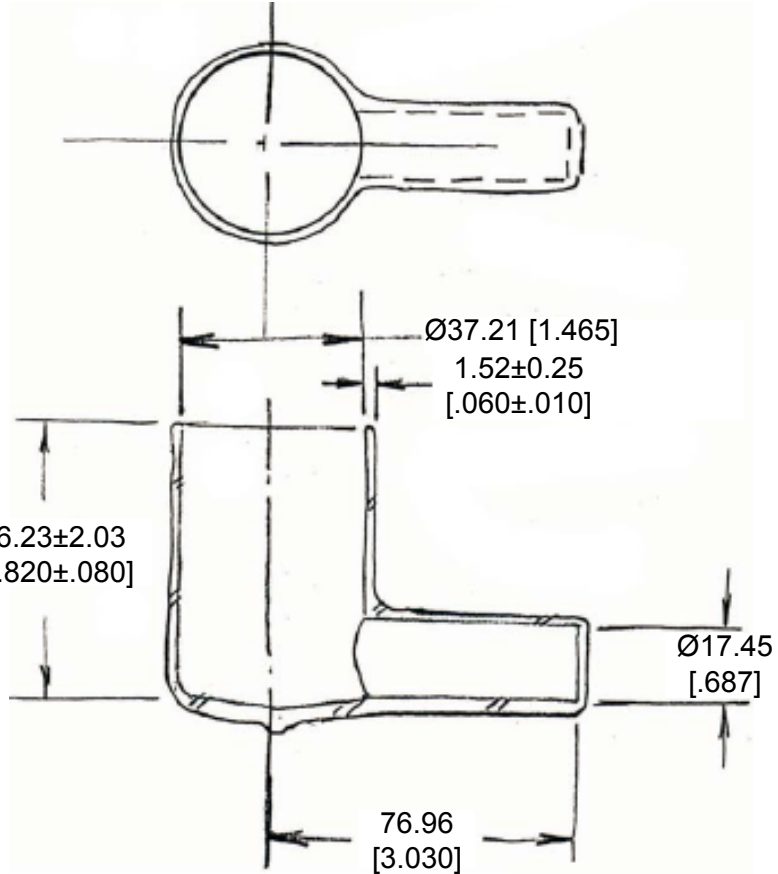


REVISIONS					
P	LTR	DESCRIPTION	DATE	DWN	APVD
	A	NEW RELEASE PER ECO-14-013277	08-27-14	DM	DM



3. PART NO. HD30-24BT-90-BK
2. TEMPERATURE RATING: -29°C TO +100°C [-20°F TO +212°F]
1. THIS PART IS USED ON  
 HDP24-24-XXX RECEPTACLES  
 HDP26-24-XXX PLUGS  
 HD34-24-XXX RECEPTACLES  
 HD36-24-XXX PLUGS  
 WHERE XXX IS PIN ARRANGEMENTS. SEE INVIDUAL CUSTOMER DRAWINGS


2014

RELEASED FOR PUBLICATION

THIS DRAWING IS UNPUBLISHED.

ALL RIGHTS RESERVED.

© COPYRIGHT 2014 BY TE CONNECTIVITY

DIMENSIONS: <b>MM [INCH]</b>	DWN	D. MEYER 27AUG2014	MATERIAL	PVC	FINISH	BLACK			
	CHK	I. GRANTCHAROVA 27AUG2014							
TOLERANCES UNLESS OTHERWISE SPECIFIED:	APVD	D. MEYER 27AUG2014							
0 PLC ±	PRODUCT SPEC	NAME	BOOT, 90DEG, SIZE 24 HD30/HDP20 SERIES						
1 PLC ±	APPLICATION SPEC	SIZE	A 4	CAGE CODE	4AFU8	DRAWING NO	© HD30-24BT-90-BK	RESTRICTED TO	-
2 PLC ± 0.63 [.025]	WEIGHT	26.00 g		SCALE	NONE	SHEET	1 OF 1	REV	A
3 PLC ±	Customer Drawing								
4 PLC ±									
ANGLES ± 5°									

