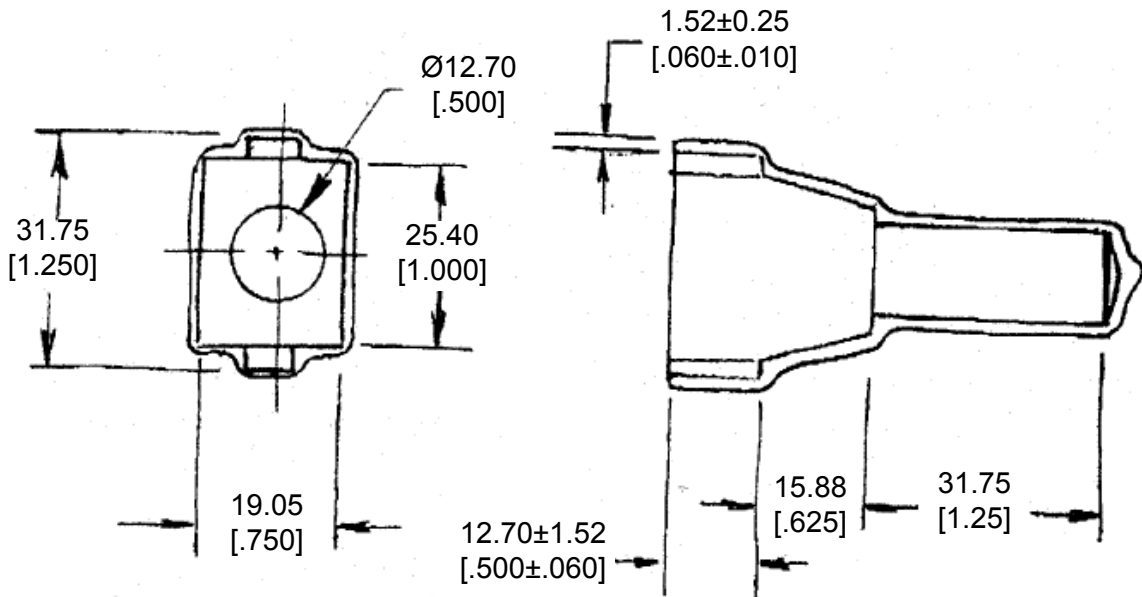


REVISIONS					
P	LTR	DESCRIPTION	DATE	DWN	APVD
	A	NEW RELEASE PER ECO-14-008763	06-20-14	DM	DM



3. PART NO. DT8S-BT-BK

2. TEMPERATURE RATING: -29°C TO +100°C [-20°F TO +212°F]

1. THIS PART IS USED ON DT06-08SX (X=A,B,C,D KEYS) PLUGS WITH ANY MODIFICATION THAT DOES NOT INCLUDE AN END CAP.

2014

RELEASED FOR PUBLICATION

THIS DRAWING IS UNPUBLISHED.

ALL RIGHTS RESERVED.

© COPYRIGHT 2014 BY TE CONNECTIVITY

DIMENSIONS: MM [INCH]	DWN	D. MEYER 20JUN2014	MATERIAL	PVC	FINISH	BLACK
	CHK	R. MESSENGER 20JUN2014				
TOLERANCES UNLESS OTHERWISE SPECIFIED:	APVD	D. MEYER 20JUN2014				
0 PLC ±	PRODUCT SPEC	NAME				BOOT, PLUG, 8PIN DT SERIES
1 PLC ±	APPLICATION SPEC	SIZE	CAGE CODE	DRAWING NO	RESTRICTED TO	
2 PLC ± 0.63 [.025]	WEIGHT	A 4	4AFU8	C - DT8S-BT-BK	-	
3 PLC ±	Customer Drawing	SCALE		NONE	SHEET	1 OF 1
4 PLC ±		REV		A		
ANGLES ± 5°						