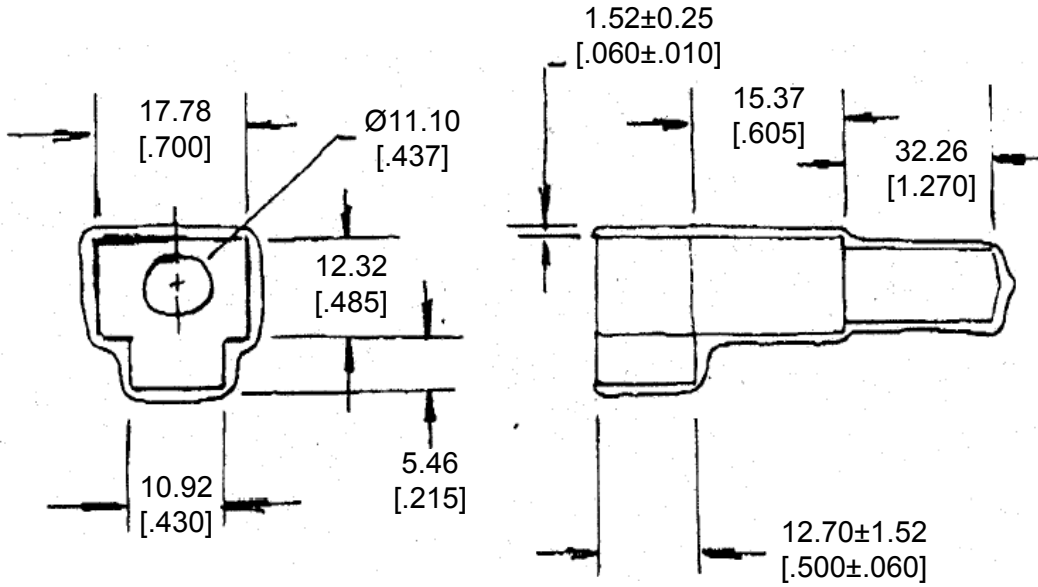


REVISIONS				
P	LTR	DESCRIPTION	DATE	APVD
A		NEW RELEASE PER ECO-14-008761	06-10-14	DM



2014

RELEASED FOR PUBLICATION

THIS DRAWING IS UNPUBLISHED.


ALL RIGHTS RESERVED.

© COPYRIGHT 2014 BY TE CONNECTIVITY

3. PART NO. DT4S-BT

2. TEMPERATURE RATING: -29°C TO +100°C [-20°F TO +212°F]

1. THIS PART IS USED ON DT06-4S PLUG WITH ANY MODIFICATION THAT DOES NOT INCLUDE AN END CAP.

DIMENSIONS: <b>MM [INCH]</b>	DWN D. MEYER 10JUN2014	MATERIAL PVC	FINISH GRAY
	CHK R. MESSENGER 10JUN2014	 TE Connectivity	
TOLERANCES UNLESS OTHERWISE SPECIFIED:	APVD D. MEYER 10JUN2014		
0 PLC ±	PRODUCT SPEC	SIZE A 4	CAGE CODE 4AFU8
1 PLC ±	APPLICATION SPEC	DRAWING NO C-DT4S-BT	RESTRICTED TO -
2 PLC ± 0.63 [.025]		WEIGHT 7.30 g	
3 PLC ±		Customer Drawing	SCALE NONE
4 PLC ±			SHEET 1 OF 1
ANGLES ± 5°			REV A