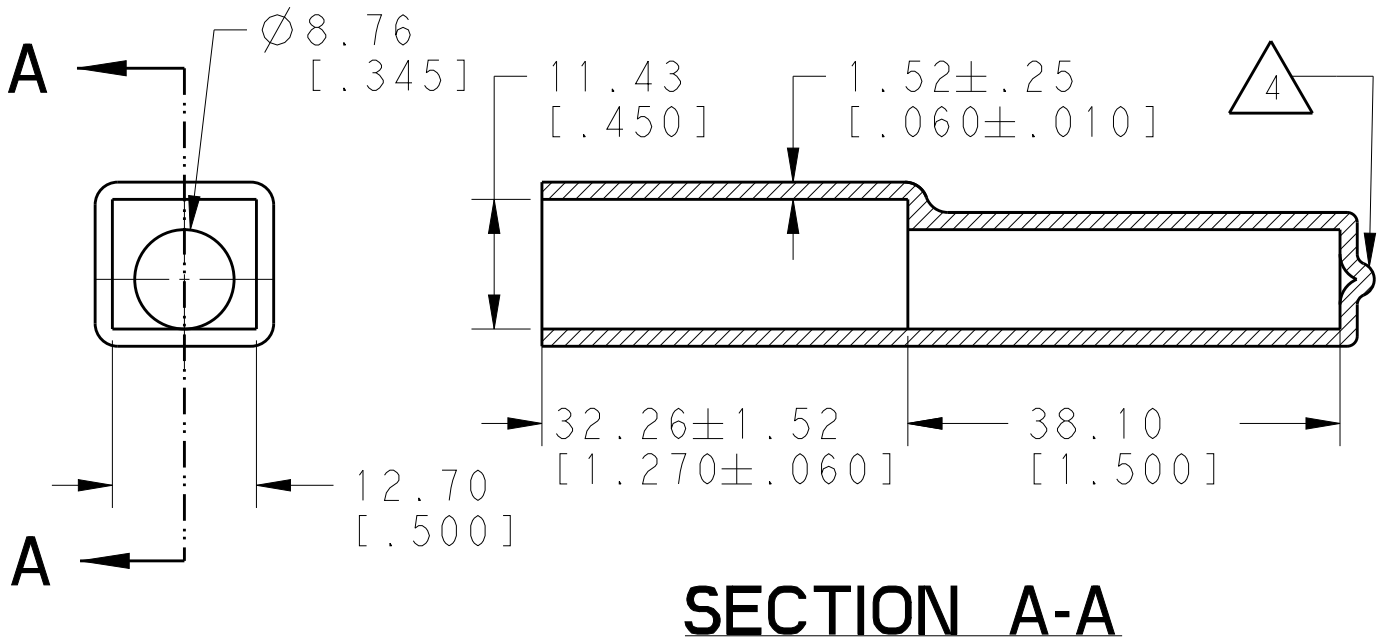


REVISIONS					
P	LTR	DESCRIPTION	DATE	DWN	APVD
	A	NEW RELEASE PER ECO-14-008753	10JUN2014	DM	DM
	A1	REVISED PER PCN E-18-006793	03MAY2018	SM	DM



SECTION A-A

4 SMALL MATERIAL EXTENSION IS ACCEPTABLE ON THIS END ALL AROUND.

3. THIS ACCESSORY PART IS PROVIDED WITHOUT TYPICAL TRANSPORTATION INDUSTRY PROCESS CONTROLS. NO VALIDATION TESTING HAS BEEN PERFORMED. CUSTOMER IS RESPONSIBLE FOR DETERMINING PRODUCT PERFORMANCE AND SUITABILITY FOR APPLICATION.

2. TEMPERATURE RATING: -29°C TO +100°C [-20°F TO +212°F]

1. THIS PART IS USED ON DT04-2P RECEPTACLES WITH ANY MODIFICATION THAT DOES NOT INCLUDE AN END CAP.

TE INTERNAL PN	DEUTSCH PN
DT2P-BT-BK	DT2P-BT-BK

2014 RELEASED FOR PUBLICATION ALL RIGHTS RESERVED. BY TE CONNECTIVITY

DIMENSIONS: MM [INCH]	DWN D. MEYER	10JUN2014	MATERIAL	PVC	FINISH	BLACK
	CHK R. MESSENGER	10JUN2014	TE Connectivity			
TOLERANCES UNLESS OTHERWISE SPECIFIED:	APVD D. MEYER	10JUN2014				
0 PLC ±	PRODUCT SPEC	-	SIZE	CAGE CODE	DRAWING NO	RESTRICTED TO
1 PLC ±	APPLICATION SPEC	-	A 4	4AFU8	©-DT2P-BT-BK	
2 PLC ±0.63 [.025]	WEIGHT	5.40 G	CUSTOMER DRAWING			
3 PLC ±			SCALE	NONE	SHEET	1 OF 1
4 PLC ±					REV	A1
ANGLES ±5°						