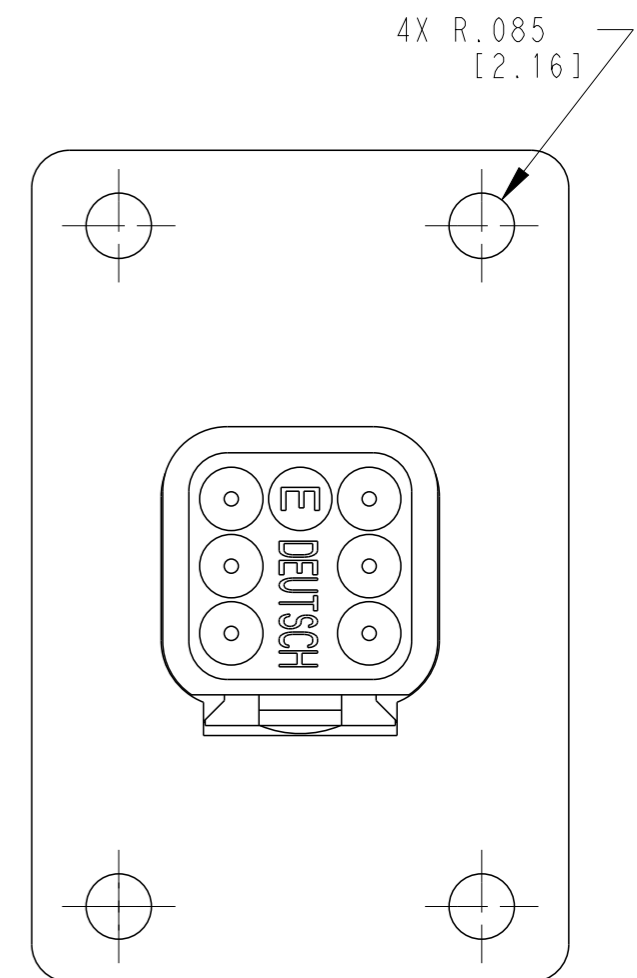
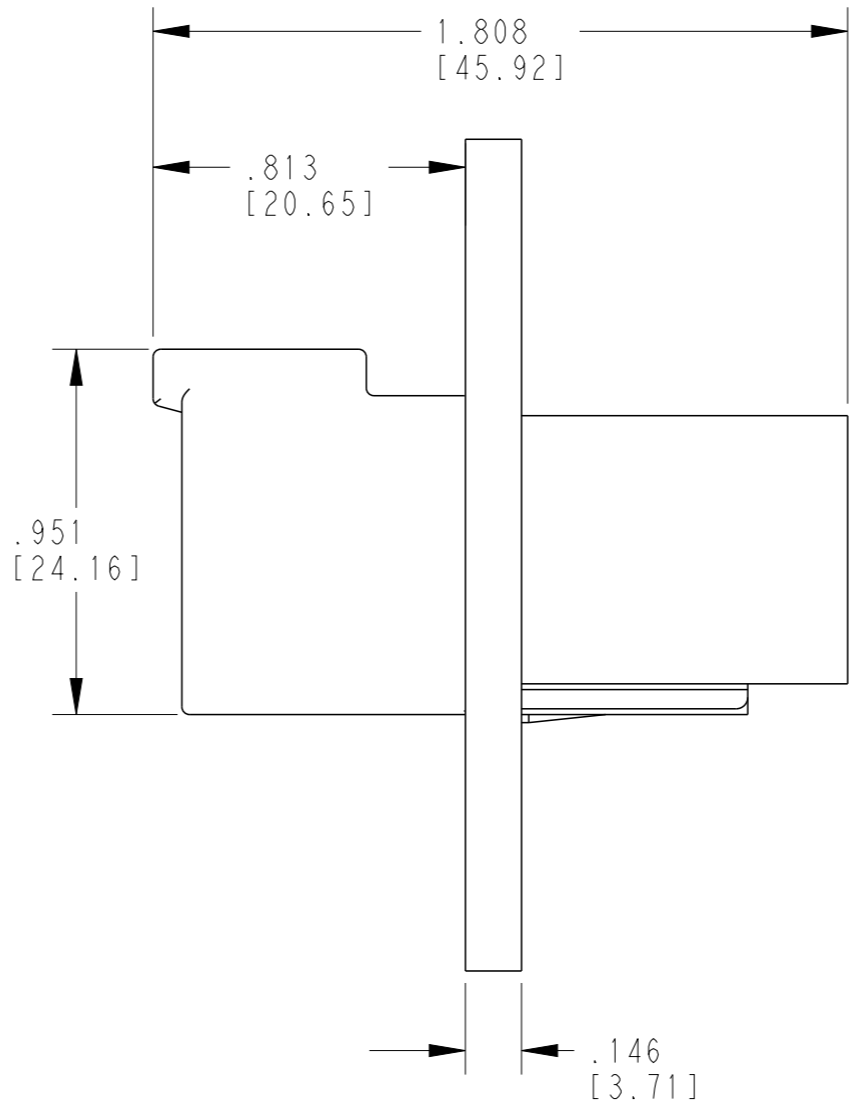
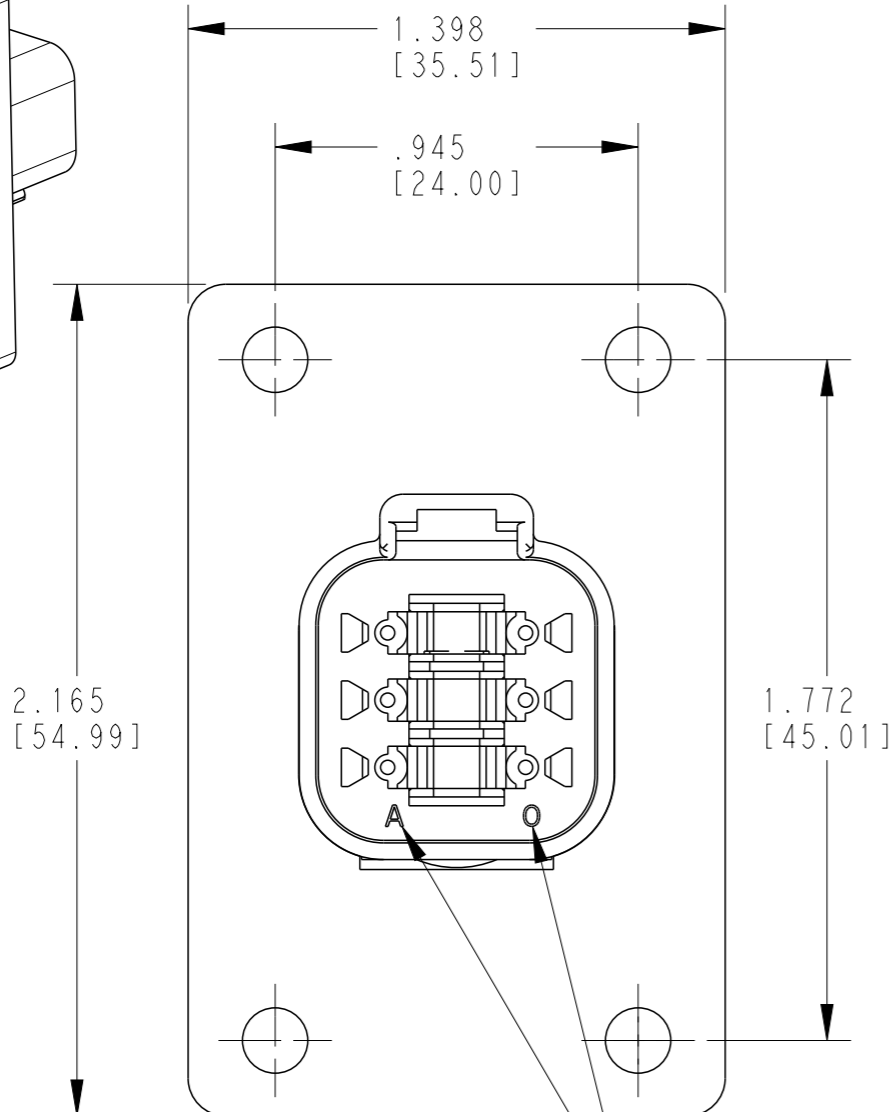
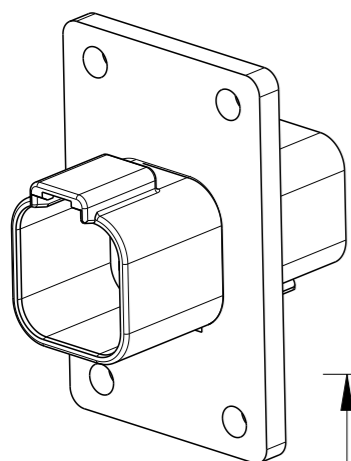


REVISIONS					
P	LTR	DESCRIPTION	DATE	DWN	APVD
	A	INITIAL RELEASE	17JUL2015	MGM	DM



5 DATE CODE: MONTH IS REPRESENTED BY SEQUENTIAL ALPHA CHARACTERS EX: A = JANUARY; YEAR IS REPRESENTED BY LAST NUMERICAL DIGIT EX: 0=2010

4 MATERIAL: RECEPTACLE HOUSING & FLANGE: PA66 GF15 (BLACK)
GROMMET: SILICONE (ORANGE-RED)


3. THIS RECEPTACLE MATES WITH DT06-6S-XXXX PLUG (XXXX = ALL MODIFICATIONS)

2. SECONDARY WEDGE LOCK SOLD SEPARATELY: W6PX-XXXX. (X = A,B,2, KEYS) XXXX = ALL MODIFICATIONS

1 DIMENSION TOLERANCE: ±.025 [.64], EXCEPT FOR PANEL CUTOUT: ±.010 [.25]. SEE SHEET 2.

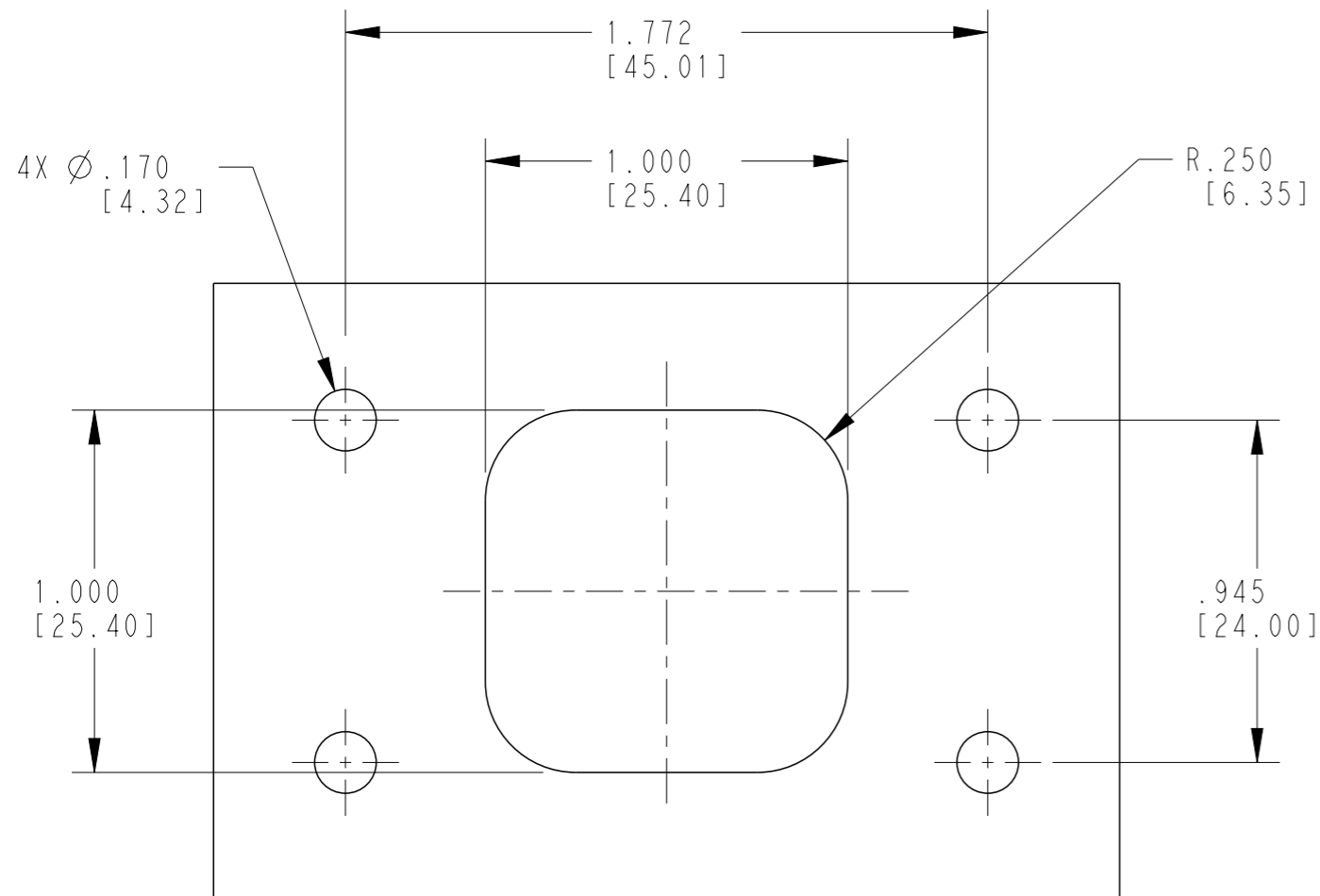
NOTES:

TCPN	ALIAS PART NUMBER		
DT04-6P-CL06	DT04-6P-CL06		
CONTACT SIZE	MIN. INSUL. O.D	MAX INSUL. O.D	WIRE RANGE [mm ²]
16	.053 [1.35]	.120 [3.05]	14-20 AWG [2.0-0.5]

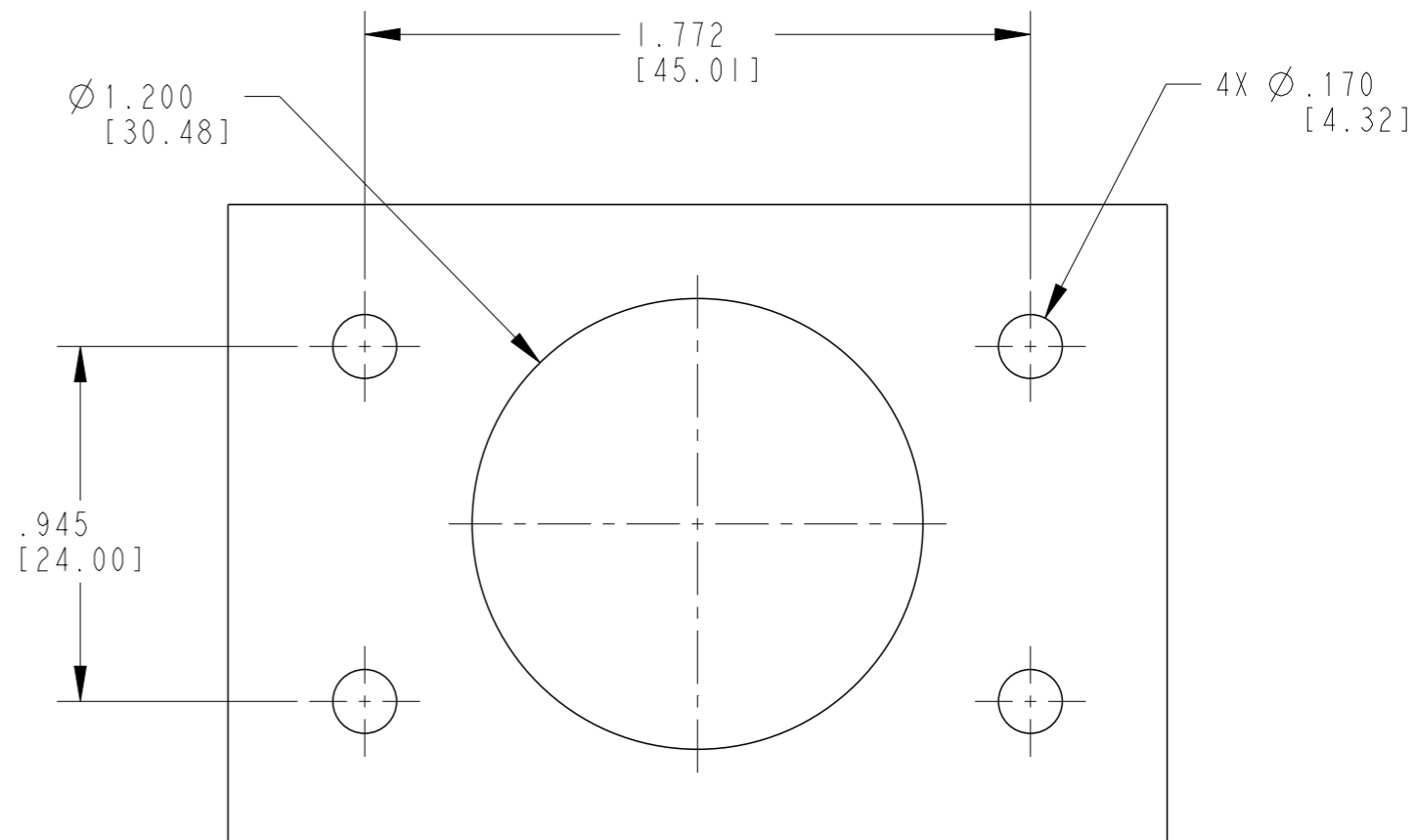
THIS DRAWING IS A CONTROLLED DOCUMENT.		DWN 21AUG2015 MANJUNATH GM	 TE Connectivity	
DIMENSIONS: INCHES [mm]		CHK 21AUG2015 D.MEYER		
TOLERANCES UNLESS OTHERWISE SPECIFIED:		APVD 21AUG2015 D.MEYER	NAME RECEPTACLE, 6PIN -CL06 MOD DT SERIES	
0 PLC ± 1 PLC ± 2 PLC ± 3 PLC ± 4 PLC ± ANGLES ± FINISH -		PRODUCT SPEC 108-151009	RESTRICTED TO -	
MATERIAL 4		APPLICATION SPEC 0425-017-0000	SIZE A3	CAGE CODE 4AFU8
		WEIGHT -	DRAWING NO ©-DT04-6P-CL06	
		CUSTOMER DRAWING	SCALE 2:1	SHEET 1 OF 2 REV A

REVISIONS

P	LTR	DESCRIPTION	DATE	DWN	APVD
-	-	SEE SHEET 1	-	-	-

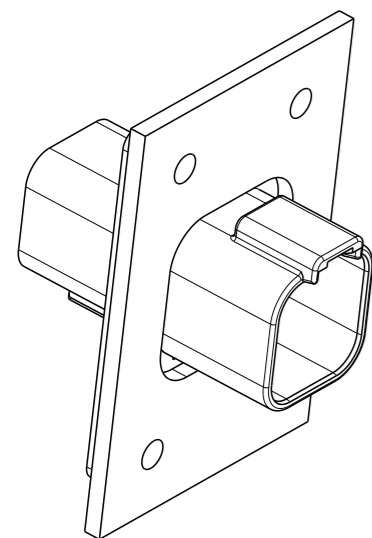


RECOMMENDED CUTOUT FRONT AND REAR MOUNT

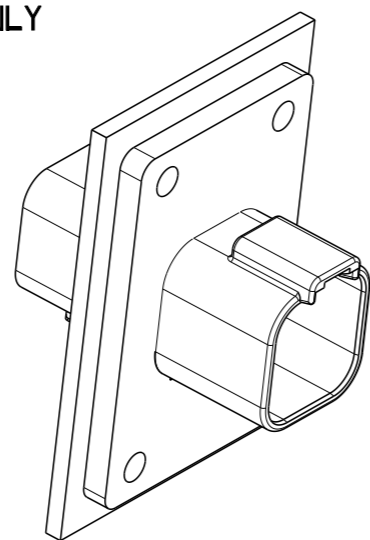


OPTIONAL CUTOUT FRONT AND REAR MOUNT

FOR REFERENCE ONLY



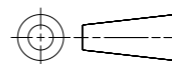
FRONT MOUNT



REAR MOUNT

THIS DRAWING IS A CONTROLLED DOCUMENT.

DIMENSIONS:
INCHES [mm]



TOLERANCES UNLESS OTHERWISE SPECIFIED:

0 PLC	±
1 PLC	±
2 PLC	±
3 PLC	±
4 PLC	±
ANGLES	±
FINISH	-

MATERIAL

DWN 21AUG2015
MANJUNATH GM
CHK 21AUG2015
D.MEYER
APVD 21AUG2015
D.MEYER
PRODUCT SPEC
108-151009
APPLICATION SPEC
0425-017-0000
WEIGHT
-

STE TE Connectivity

NAME
RECEPTACLE, 6PIN -CL06 MOD
DT SERIES

SIZE A3	CAGE CODE 4AFU8	DRAWING NO G=DT04-6P-CL06	RESTRICTED TO -
------------	--------------------	------------------------------	--------------------

CUSTOMER DRAWING SCALE 2:1 SHEET 2 OF 2 REV A