

THIS DRAWING IS UNPUBLISHED.

RELEASED FOR PUBLICATION

20

© COPYRIGHT 20

ALL RIGHTS RESERVED.

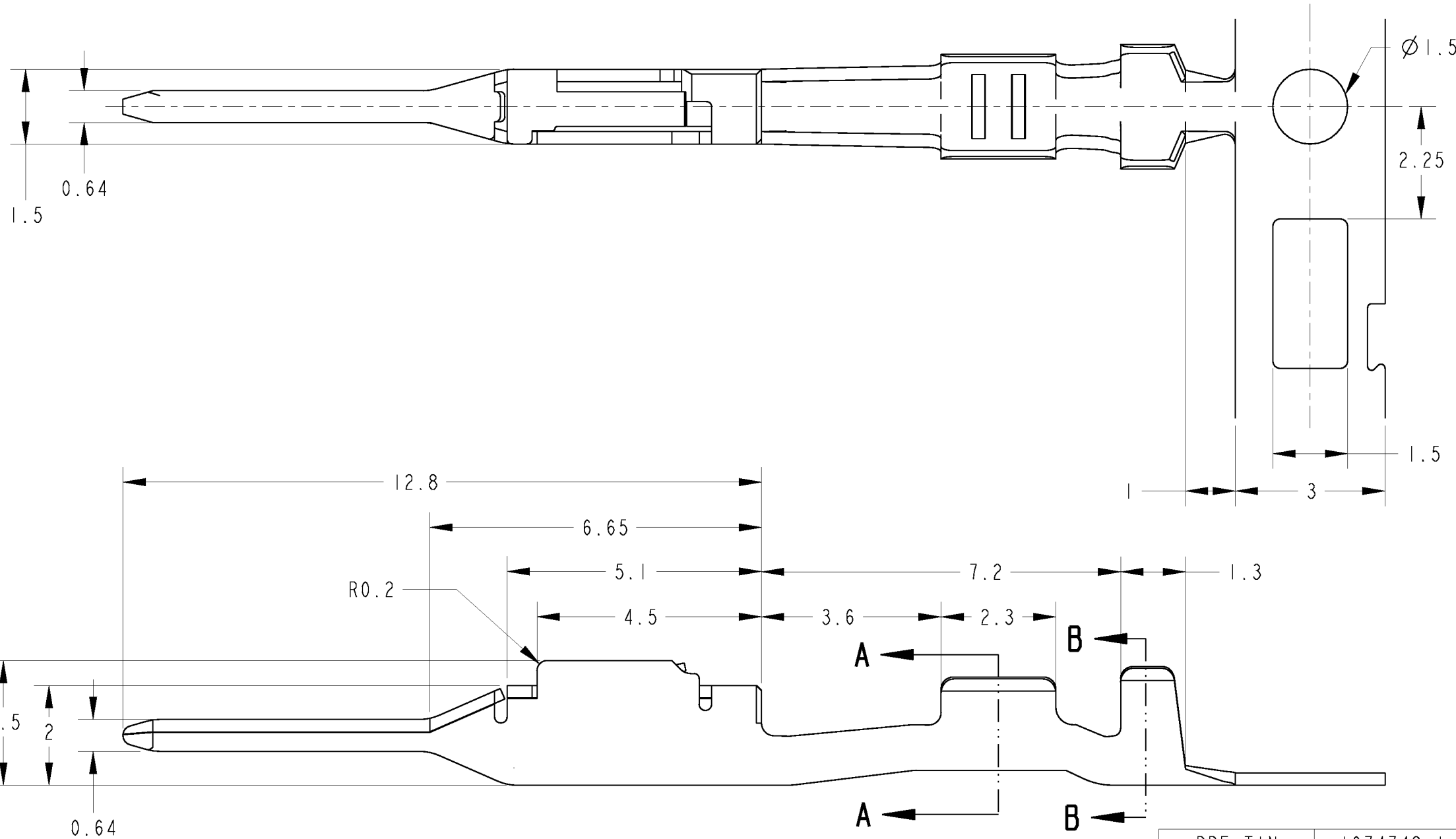
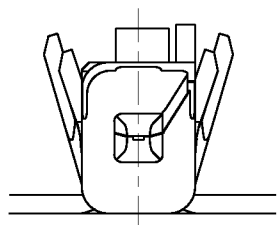
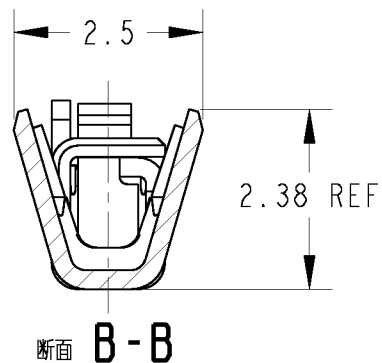
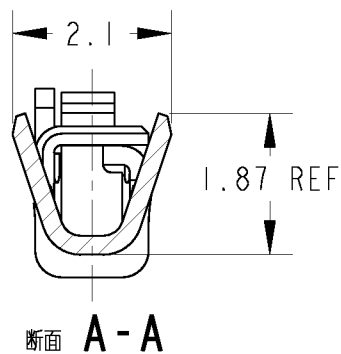
LOC
J

DIST
-

REVISIONS

変更

P	LTR	DESCRIPTION	DATE	DWN	APVD
	P	REVISED PER ECO-11-005140	02APR2011	RK	HMR



PRE-TIN	1674742-1
FINISH	PART NO.

- 1. 適用電線; AVSS, CAVS, CAVUS, AVSSH-f 0.3~0.5mm²
- 2. アプリケータ送りピッチ; 7.5mm

- 1. APPLICABLE WIRE RANGE;
AVSS, CAVS, CAVUS, AVSSH-f 0.3~0.5mm²
- 2. APPLICATOR FEED; 7.5mm

THIS DRAWING IS A CONTROLLED DOCUMENT.

DIMENSIONS: 単位: ㎜	TOLERANCES UNLESS OTHERWISE SPECIFIED: 一般公差 ±0.3
	0-PLC ±
	1-PLC ±0.5
	2-PLC ±0.13
	3-PLC ±0.013
	4-PLC ±0.001
	ANGLES ±3'00"
MATERIAL 材料 COPPER Alloy	FINISH 仕上 SEE TABLE

DWN	S. FURUYA	19-JUN-03
CHK	T. KOHNO	19-JUN-03
APVD	K. SHIMIZU	19-JUN-03
PRODUCT SPEC 製品規格	-	
APPLICATION SPEC 取付適用規格	114-5340	
WEIGHT	0.2g	
CUSTOMER DRAWING		

WIRE RANGE 包合電線断面積	0.37~0.56mm ²	INSULATION DIA 被覆外径	φ1.1~1.7
STE TE Connectivity			
NAME 名称 025 TH TAB CONTACT			
SIZE	A3	CAGE CODE	00779
DRAWING NO 番号	C=1674742		
RESTRICTED TO	-		
SCALE 尺度	10:1	SHEET	1 OF 1
REV	P		

Mouser Electronics

Authorized Distributor

Click to View Pricing, Inventory, Delivery & Lifecycle Information:

[TE Connectivity:](#)

[1674742-1](#) [1674742-1 \(Mouser Reel\)](#) [1674742-1 \(Cut Strip\)](#)