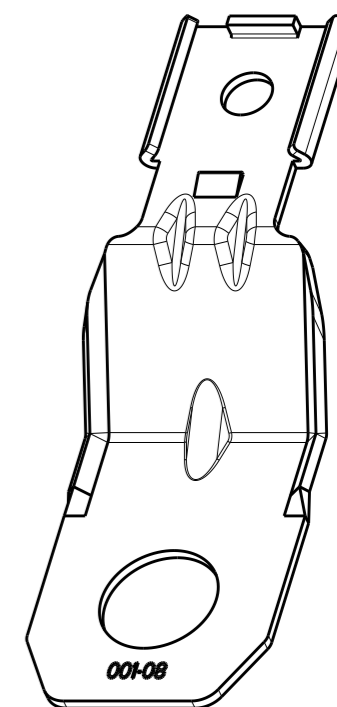
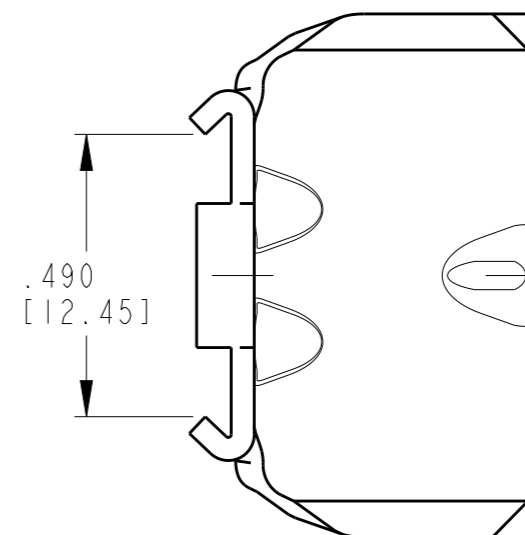
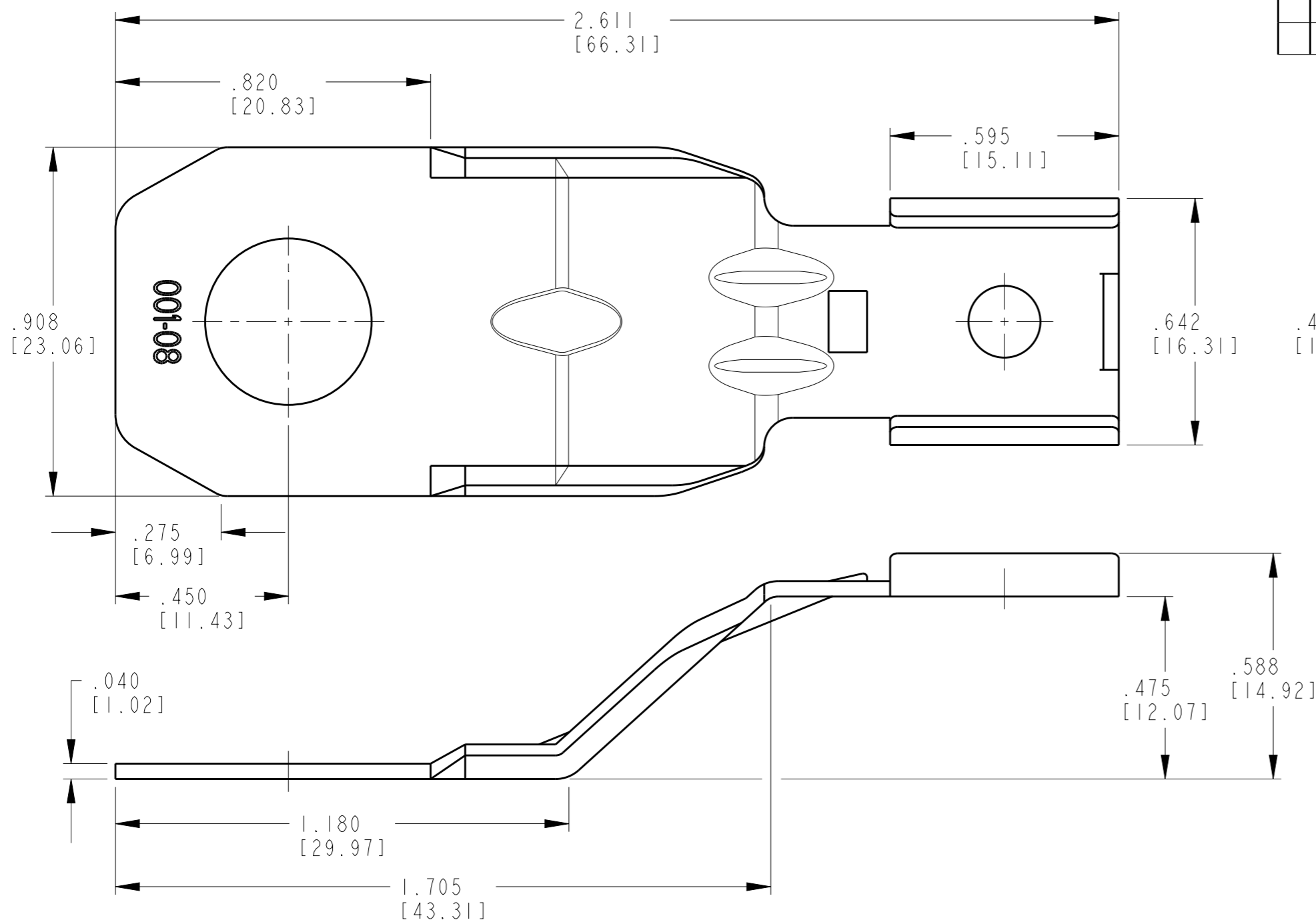


LOC	DIST	REVISIONS			
P	LTR	DESCRIPTION	DATE	DWN	APVD
	A	REVISED PER EO PI6210	19NOV1999	ST	RDR
	B	REVISED PER EO PI7504	10DEC2001	ST	RDR
	C	REVISED PER EO P20851	25MAR2011	ST	RDR
	CI	REVISED PER PCN E-19-016328	18OCT2019	JA	IG



3D VIEW

TE INTERNAL PN	DEUTSCH PN
1027-001-0800	1027-001-0800
1027-002-0800	1027-002-0800
1027-006-0800	1027-006-0800
1027-014-0800	1027-014-0800

△ PART INFORMATION:

PART NUMBER	MATERIAL	HOLE DIAMETER
1027-001-0800	STAINLESS STEEL	.433 [11.0]
1027-002-0800	STEEL-ZINC PLATE	.512 [13.0]
1027-006-0800	STAINLESS STEEL	.512 [13.0]
1027-014-0800	STEEL-ZINC PLATE	.323 [8.2]

NOTES:

THIS DRAWING IS A CONTROLLED DOCUMENT.		DWN S. THEIS 09NOV1999	TE Connectivity		
DIMENSIONS: INCHES [mm]		CHK B. BYFORD 23MAR2011			
TOLERANCES UNLESS OTHERWISE SPECIFIED:		APVD S. BEARD 15MAR2011	NAME METAL CLIP / MOUNTING BRACKET FOR 8 WAY RECEPTACLE DT SERIES		
0 PLC ± 1 PLC ± 2 PLC ± 3 PLC ±.025 [0.64] 4 PLC ± ANGLES ±0°30'0"		PRODUCT SPEC	RESTRICTED TO		
MATERIAL △		APPLICATION SPEC 114-151009	SIZE A3	CAGE CODE 4AFU8	DRAWING NO 1027-001/002-006-0
FINISH △		WEIGHT 10.5g	4-0800		
		CUSTOMER DRAWING	SCALE 3:1	SHEET 1	OF 1
			REV CI		