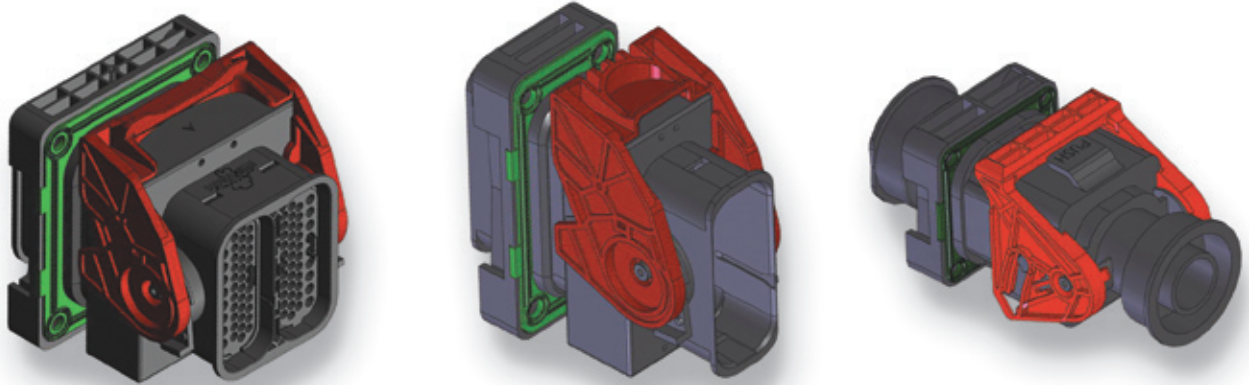




DEUTSCH

INDUSTRIAL



The STRIKE Connector System

The STRIKE Connector System

The STRIKE Connector System is designed for heavy duty equipment. It combines technical know how of DEUTSCH in connectors with today's market requirements. Three different sized compact and rugged housings are part of the STRIKE family. The modular concept of the contact layout will serve almost every application.

Features and Benefits

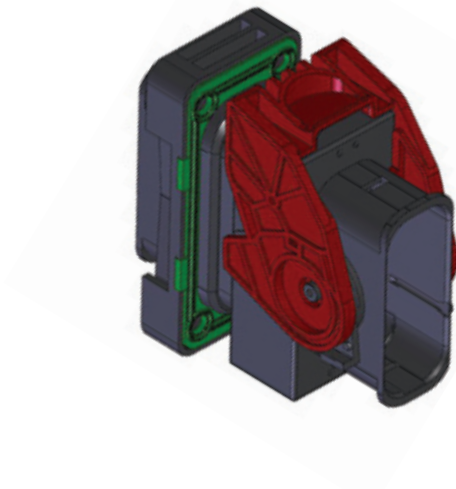
- ◆ SAE J2030
- ◆ Temperature: - 55°C to 125°C
- ◆ Vibration up to 30 G
- ◆ UL94 V0
- ◆ ROHS conform
- ◆ Environmentally sealed IP6k9k
- ◆ 48 V and up to 300 A
- ◆ Lever system
- ◆ Secondary Locking
- ◆ Modular System: 3 housing sizes and various layouts
- ◆ Up to 10 different keying for multiple usage
- ◆ DEUTSCH Common Contact System
- ◆ Back shell adaptation for corrugated tubes
- ◆ Build for line-to-line and bulkhead applications
- ◆ Accessories for frame and screw-less mounting

STRIKE Power Connector



- ◆ Power contacts in Ø 8 mm & Ø 12 mm
- ◆ Wire size 4 - 4/0 AWG / 16 - 95 mm²
- ◆ Applications up to 300 A

Medium STRIKE Connector



- ◆ Multiple contact layouts
- ◆ Multiple contact sizes for signals or power applications up to 150 A

Full STRIKE Connector

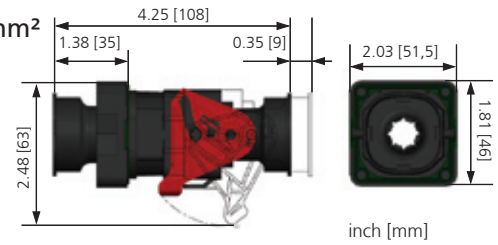


- ◆ Multiple contact layouts
- ◆ Various combinations of modules
- ◆ Multiple contact sizes for signals and power applications up to 150 A

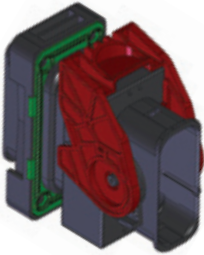
STRIKE Power Connector



- ◆ Wire size 4 - 4/0 AWG / 16 - 95 mm²
- ◆ SRK Ø 8 mm contact for 150 A
Ref.: *SM# 01A*
- ◆ SRK Ø 12 mm contact for 300 A
Ref.: *SM# 01B*



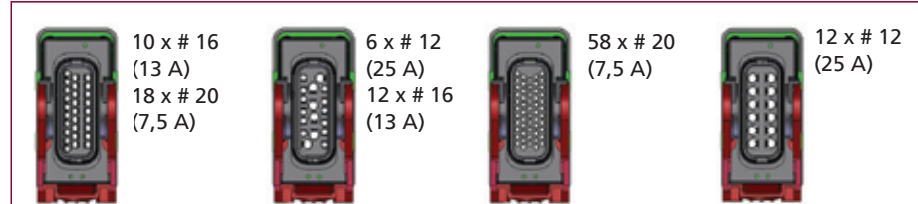
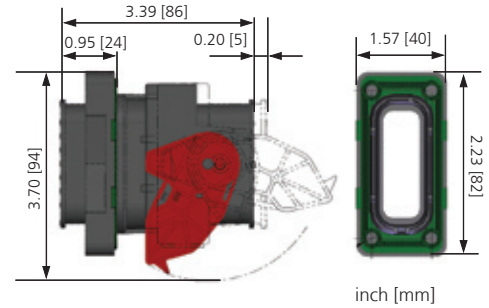
Medium STRIKE Connector



- ◆ Multiple contact layouts
- ◆ Deutsch Common Contact System & STRIKE Contact System



28 x # 20 (7,5 A) 20 x SRK Ø 1,5 (15 A) 2 x SRK Ø 1,5 (15 A)
 4 x # 16 (13 A) (15 A) 2 x SRK Ø 8 (150 A)
 Ref.: *32 A* Ref.: *20 A* Ref.: *04 A*

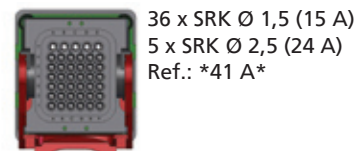
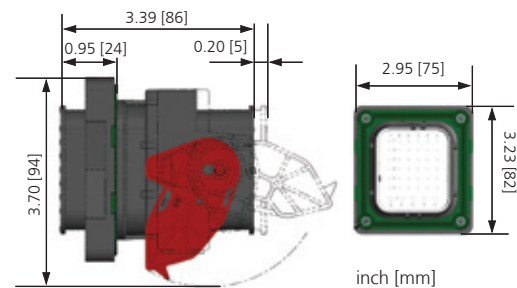
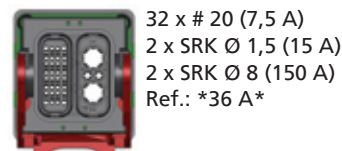
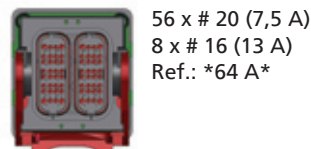


Other possible contact layouts

Full STRIKE Connector



- ◆ Multiple contact layouts
- ◆ Deutsch Common Contact System & STRIKE Contact System
- ◆ Combination of layouts



The housing of the FL size STRIKE connector is build to accommodate two modules of the MD size STRIKE. All modules can be chosen: either two equal modules to reach high pin count or a combination of two different modules to cover all square sections required.

Consult your DEUTSCH team for your own customized module !

Cable attachment options



Standard module

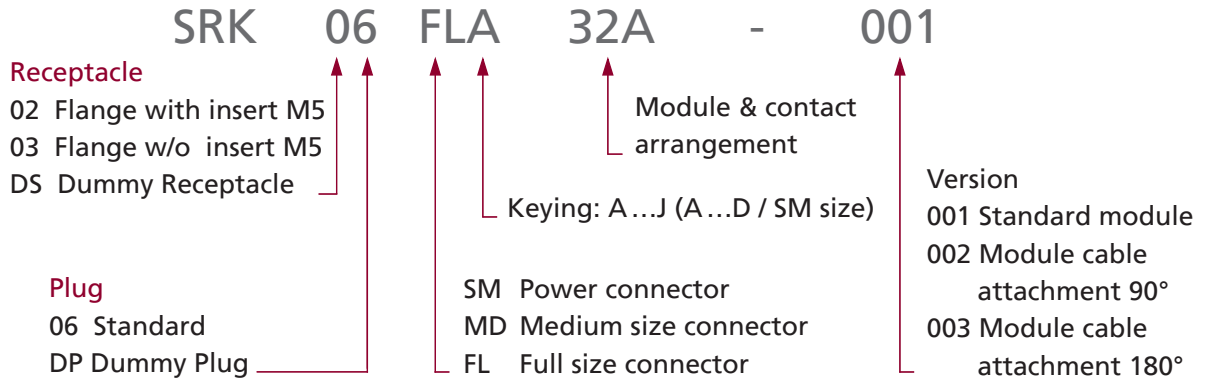


Cable attachment 90°



Cable attachment 180°

How to order



Accessories

Back Shells accommodate corrugated tubes NW17 & NW22



Back Shell 90° for FL size
Ref.: SRK BS FL 90



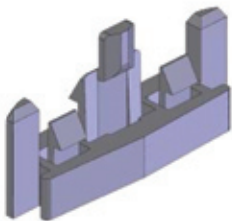
Straight for FL size
Ref.: SRK BS FL ST



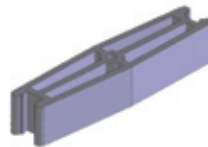
Back Shell 90° for MD size
Ref.: SRK BS MD 90



Back Shell 180° for MD size
Ref.: SRK BS MD ST



Fast mounting clip for snap fix
mounting on the bulk head
Ref.: SRK FR FL QX
SRK FR MD QX



The Flange coupling allows
stacking of the receptacle housings
Ref.: SRK FR AL LK

The Deutsch common contact system

The modules accommodate the DEUTSCH common contact system, the European based STRIKE (SRK) contact system including solid contacts for power applications in Ø 8mm and Ø 12mm.

Solid Contacts

Size & Type	Part No.	Wire Gauge Range	Hand Crimp Tool	Production Crimp Tool
20 Pin 20 Socket	0460-202-20141 0462-201-20141	20 AWG / 0,5 mm ²	HDT - 48 - 00	HDP - 400
16 Pin 16 Socket	0460-202-16141 0462-201-16141	16,18 & 20 AWG / 0,5 - 1,0 mm ²		
16 Pin 16 Socket	0460-215-16141 0462-209-16141	14 AWG / 2,0 mm ²		
12 Pin 12 Socket	0460-204-12141 0462-203-12141	12 & 14 AWG / 2,0 - 3,0 mm ²		
Ø 8 Pin Ø 8 Socket	SRK PC 80 ## 001 SRK SC 80 ## 001	## = 16 / 20 / 25 / 32 / 35 mm ²	OCETA D31	
Ø 12 Pin Ø 12 Socket	SRK PC 120 ## 001 SRK SC 120 ## 001	## = 40 / 50 / 70 / 95 mm ²		

Stamped & Formed Contacts

Size & Type	Part No.	Wire Gauge Range	Hand Crimp Tool	Production Crimp Tool
20 Pin 20 Socket	1060-20-0122 1062-20-0122	20, 18 & 16 AWG / 0,5 - 1,0 mm ²	DTT-20-00	DCT-1620-02-00
20 Pin 20 Socket	1060-20-0222 1062-20-0222	20, 18 & 16 AWG / 0,5 - 1,0 mm ²	DTT-20-02	
16 Pin 16 Socket	1060-16-0722 1062-16-0722	18, 16 & 14 AWG / 0,75 - 2,0 mm ²	DTT-16-00	
16 Pin 16 Socket	1060-16-0622 1062-16-0622	20, 18 & 16 AWG / 0,50 - 1,0 mm ²		
16 Pin 16 Socket	1060-16-0122 1062-16-0122	18 & 16 AWG / 0,75 - 1,5 mm ²		
16 Pin 16 Socket	1060-14-0122 1062-14-0122	16 & 14 AWG / 1,0 - 2,0 mm ²		
12 Pin 12 Socket	1060-12-0166 1062-12-0166	14 & 12 AWG / 2,0 - 3,0 mm ²	DTT-12-00	DCT-12-02-00
1,5mm Pin 1,5mm Socket	SRK PC 15-01 SRK SC 15-01	0,5 - 1,0 mm ²	SMCTH-TS-1.5.1	SMCTA-TS-1
1,5mm Pin 1,5mm Socket	SRK PC 15-02 SRK SC 15-02	1.5 - 2.5 mm ²	SMCTH-TS-1.5.2	SMCTA-TS-2
2,5mm Pin 2,5mm Socket	SRK PC 25-01 SRK SC 25-01	0,5 - 1,0 mm ²	SMCTH-TS-2.5.1	SMCTA-TS-1
2,5mm Pin 2,5mm Socket	SRK PC 25-02 SRK SC 25-02	1.5 - 2.5 mm ²	SMCTH-TS-2.5.2	SMCTA-TS-2

Request contact drawings for proper crimping and crimp dies.

Consult factory for alternate finishes.

Sealing Plugs	Size 20: P/N 0413-204-2005	Size 16: P/N 0413-217-1605	SRK1,5 & 2,5 mm: P/N 25JH0024
---------------	----------------------------	----------------------------	-------------------------------

Assembly Instruction

Contact Insertion



Ensure secondary locking is open



Hold connector with rear seal retainer facing you



Push contact straight into the grommet until a positive stop is felt. A slight tug will confirm that it is properly locked in place.



Push to close the Secondary locking

Contact Removal of Deutsch Common Contacts



Use SRK RT 01 to open the secondary locking with light turn against the locking clip



Repeat it on the other side



Remove the secondary locking



Unlock the contacts and pull on the wire

Contact Removal of Power and Ø 1.5 - Ø 2,5 mm Contacts

Follow step 1-3 as above to remove the secondary locking .



Bring the SRK removal tool over the contact



Push to open the clip fingers



Pull the wire to remove the contact

Removal Tools

Removal tool for secondary locking and Deutsch Common Contacts size 20, 16 and 12:

SRK RT 01

Removal tool for SRK contacts:

Ø 1,5 mm: SRK EXT 15 A

Ø 2,5 mm: SRK EXT 25 A

Ø 8,0 mm: SRK EXT 80

Ø 12,0 mm: SRK EXT 120



INOGIA
DISTRIBUTION

E-mail : info@inogia.com - Tel. : +33 1 34 61 80 84

www.inogia.com