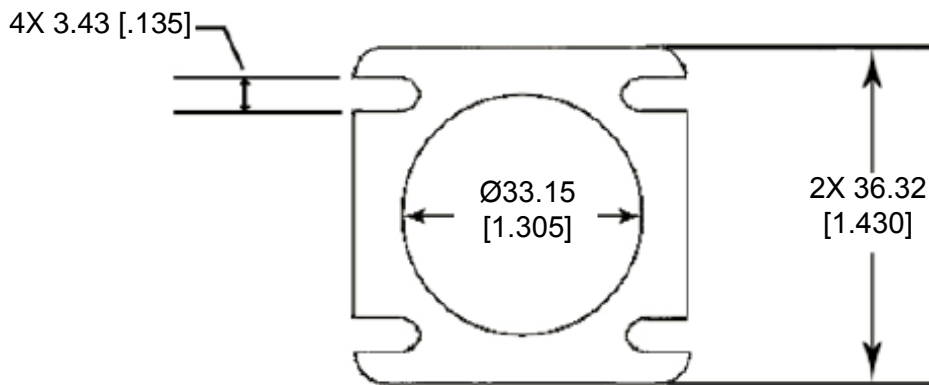


REVISIONS				
P	LTR	DESCRIPTION	DATE	APVD
	A	NEW RELEASE PER ECO-14-012864	08-27-14	DM DM



4. THICKNESS: 3.18 [.125]
3. PART NO. HD10-9-GKT
2. TEMPERATURE RATING: -57°C TO +107°C [-70°F TO +225°F]
1. THIS PART IS USED ON HD10-9-XXX RECEPTACLES, WHERE XXX IS PIN ARRANGEMENTS. SEE INVIDUAL CUSTOMER DRAWINGS


2014

RELEASED FOR PUBLICATION

THIS DRAWING IS UNPUBLISHED.

ALL RIGHTS RESERVED.

© COPYRIGHT 2014 BY TE CONNECTIVITY

DIMENSIONS: MM [INCH]	DWN D. MEYER 27AUG2014	MATERIAL CLD CELL SPONGE	FINISH BLACK
	CHK I. GRANTCHAROVA 27AUG2014	 TE Connectivity	
TOLERANCES UNLESS OTHERWISE SPECIFIED:	APVD D. MEYER 27AUG2014		
0 PLC ±	PRODUCT SPEC	SIZE A 4	CAGE CODE 4AFU8
1 PLC ±	APPLICATION SPEC	DRAWING NO C-HD10-9-GKT	
2 PLC ± 0.76 [.030]		RESTRICTED TO	-
3 PLC ±	WEIGHT .91 g	Customer Drawing	
4 PLC ±	SCALE NONE		SHEET 1 OF 1
ANGLES ± 5°	Customer Drawing		REV A

