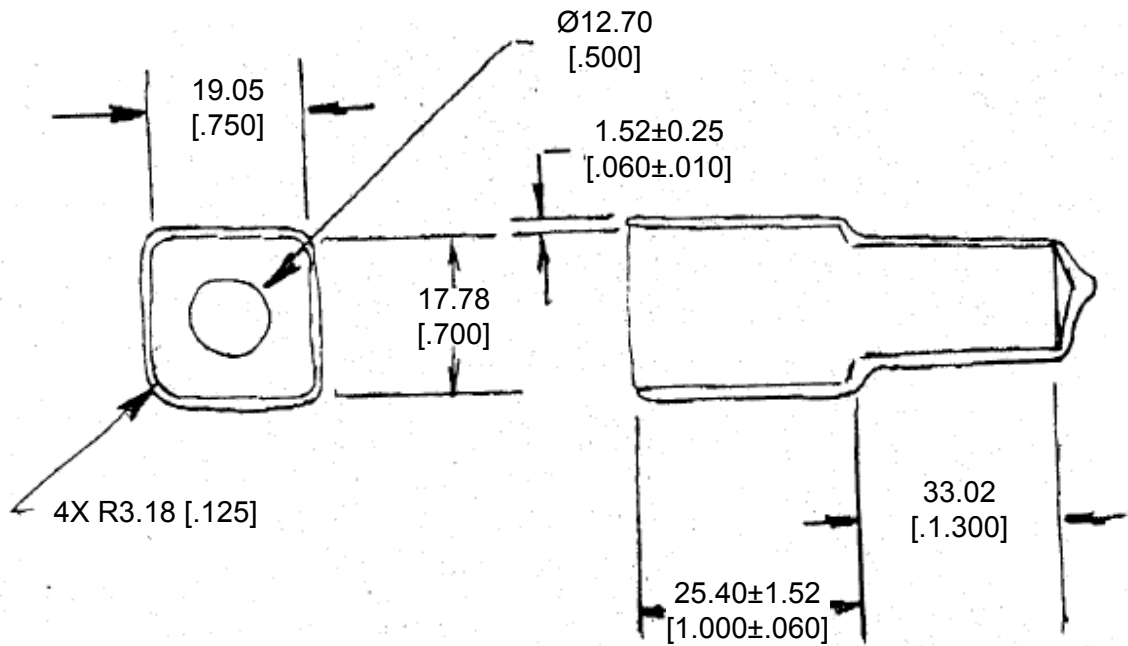


REVISIONS				
P	LTR	DESCRIPTION	DATE	APVD
A		NEW RELEASE PER ECO-14-008762	06-17-14	DM DM



3. PART NO. DT6P-BT-BK
2. TEMPERATURE RATING: -29°C TO +100°C [-20°F TO +212°F]
1. THIS PART IS USED ON DT04-6P RECEPTACLES WITH ANY MODIFICATION THAT DOES NOT INCLUDE AN END CAP.


2014

RELEASED FOR PUBLICATION

THIS DRAWING IS UNPUBLISHED.

ALL RIGHTS RESERVED.

© COPYRIGHT 2014 BY TE CONNECTIVITY

DIMENSIONS: MM [INCH]	DWN D. MEYER 17JUN2014	MATERIAL PVC	FINISH BLACK
	CHK R. MESSENGER 17JUN2014	 TE Connectivity	
TOLERANCES UNLESS OTHERWISE SPECIFIED:	APVD D. MEYER 17JUN2014		
0 PLC ±	PRODUCT SPEC	SIZE A 4	CAGE CODE 4AFU8
1 PLC ±	APPLICATION SPEC	DRAWING NO	RESTRICTED TO
2 PLC ± 0.63 [025]		Customer Drawing	SCALE NONE
3 PLC ±	WEIGHT 7.20 g	Drawing No	REV A
4 PLC ±		DT6P-BT-BK	
ANGLES ± 5°			