

2014

RELEASED FOR PUBLICATION

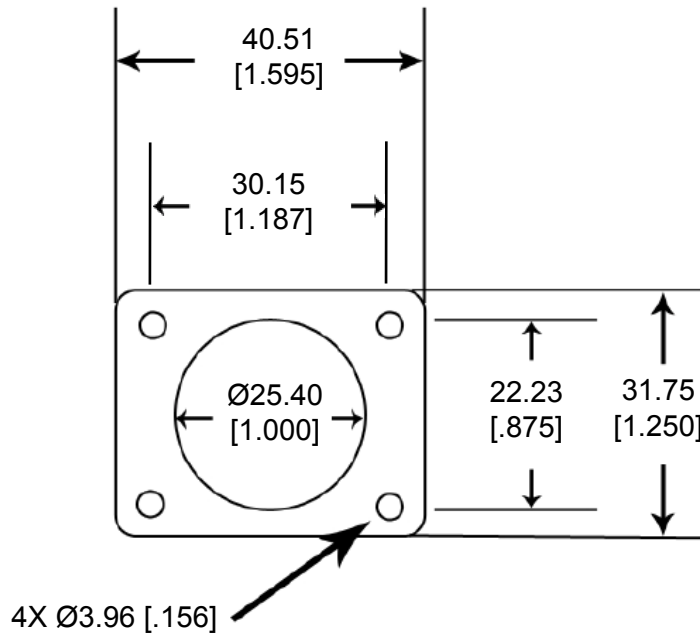
THIS DRAWING IS UNPUBLISHED.

ALL RIGHTS RESERVED.

© COPYRIGHT 2014 BY TE CONNECTIVITY

REVISIONS

P	LTR	DESCRIPTION	DATE	DWN	APVD
A		NEW RELEASE PER ECO-14-008759	06-10-14	DM	DM



- 4. THICKNESS: 3.18 [.125]
- 3. PART NO. DT3P-L012-GKT
- 2. TEMPERATURE RATING: -57°C TO +107°C [-70°F TO +225°F]
- 1. THIS PART IS USED ON DT04-3P-L012

DIMENSIONS: MM [INCH]	DWN	D. MEYER 10JUN2014	MATERIAL	CLD CELL SPONGE	FINISH	BLACK
	CHK	R. MESSENGER 10JUN2014				
TOLERANCES UNLESS OTHERWISE SPECIFIED:	APVD	D. MEYER 10JUN2014				
0 PLC ±	PRODUCT SPEC	NAME				GASKET, RECEPTACLE, 3PIN DT SERIES
1 PLC ±	APPLICATION SPEC	SIZE	CAGE CODE	DRAWING NO	RESTRICTED TO	
2 PLC ± 0.76 [.030]		A 4	4AFU8	DT3P-L012-GKT	-	
3 PLC ±	WEIGHT	.36 g		SCALE	NONE	SHEET 1 OF 1
4 PLC ±	Customer Drawing				REV	A
ANGLES ± 5°						