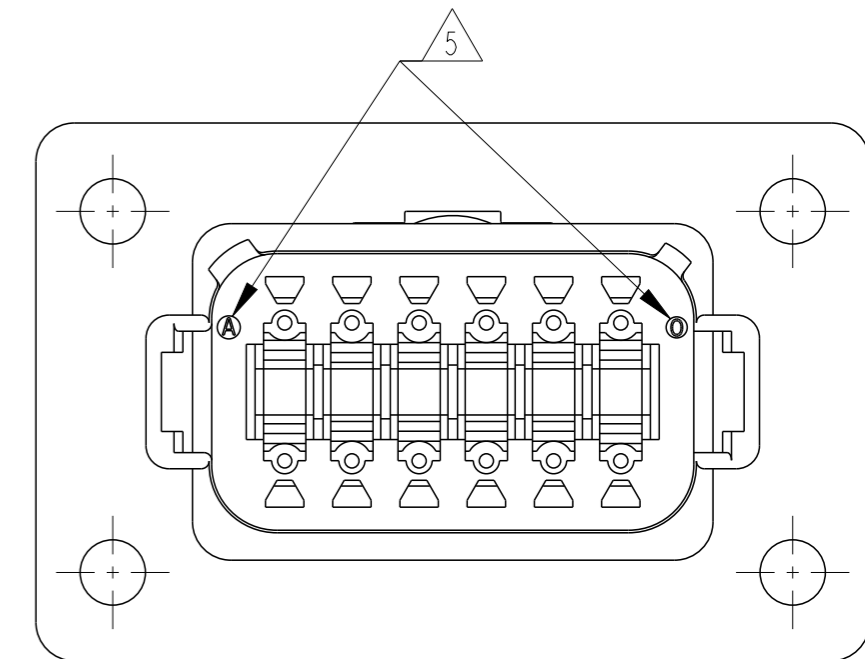
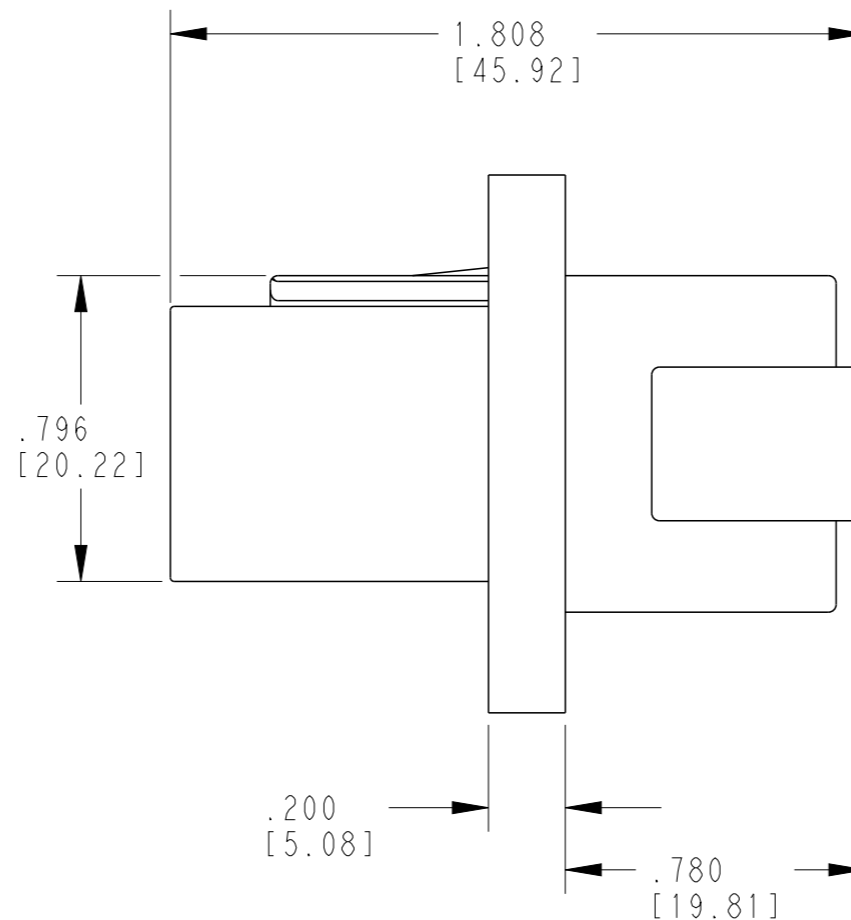
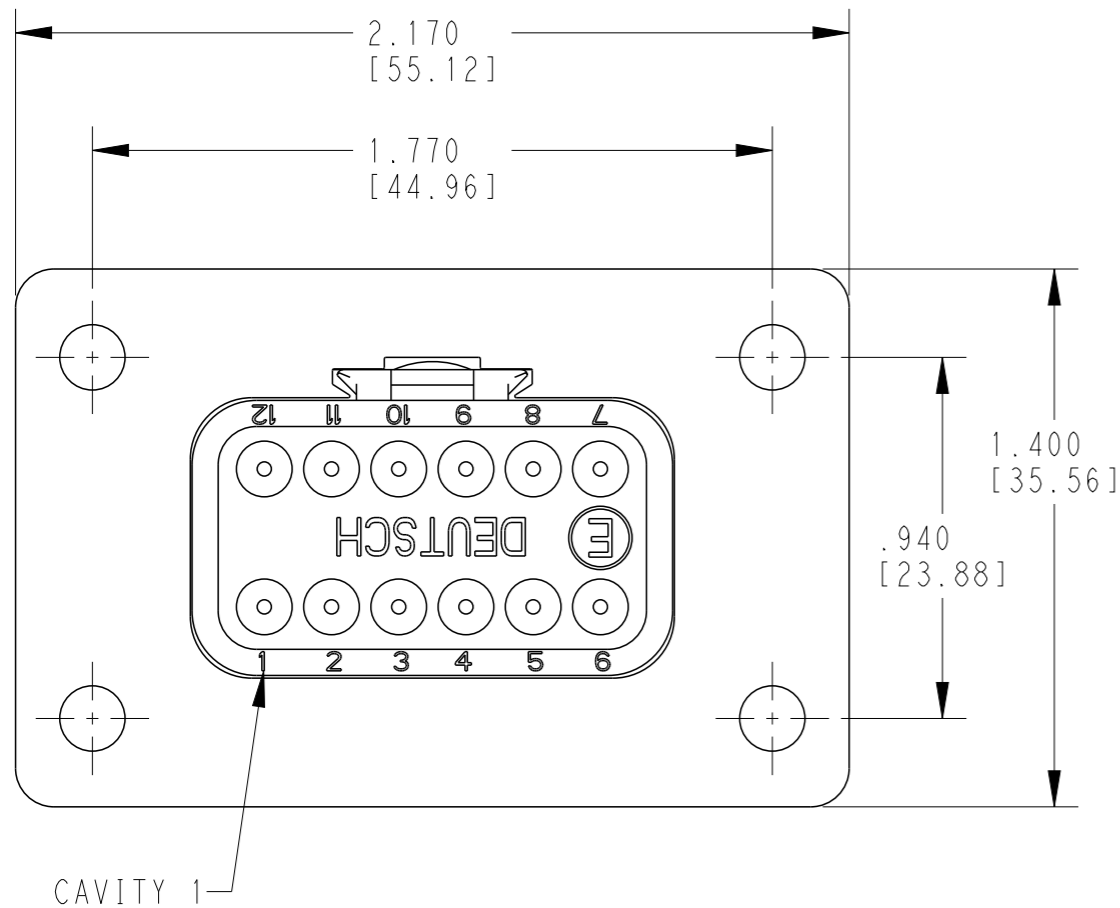


REVISIONS					
P	LTR	DESCRIPTION	DATE	DWN	APVD
	A	INITIAL RELEASE	10AUG2015	MGM	DM



5 DATE CODE: MONTH IS REPRESENTED BY SEQUENTIAL ALPHA CHARACTERS EX: A = JANUARY; YEAR IS REPRESENTED BY LAST NUMERICAL DIGIT EX: 0=2010

4 MATERIAL: RECEPTACLE HOUSING & FLANGE: PA66 GF15 (BLACK)
GROMMET: SILICONE (ORANGE-RED)

3. THIS RECEPTACLE MATES WITH DT06-12SA-XXXX PLUG (XXXX = ALL MODIFICATIONS)

2. SECONDARY WEDGE LOCK SOLD SEPARATELY: W12P-XXXX. (XXXX = ALL MODIFICATIONS)

1 DIMENSION TOLERANCE: ±.025 [.64], EXCEPT FOR PANEL CUTOUT: ±.010 [.25]. SEE SHEET 2.

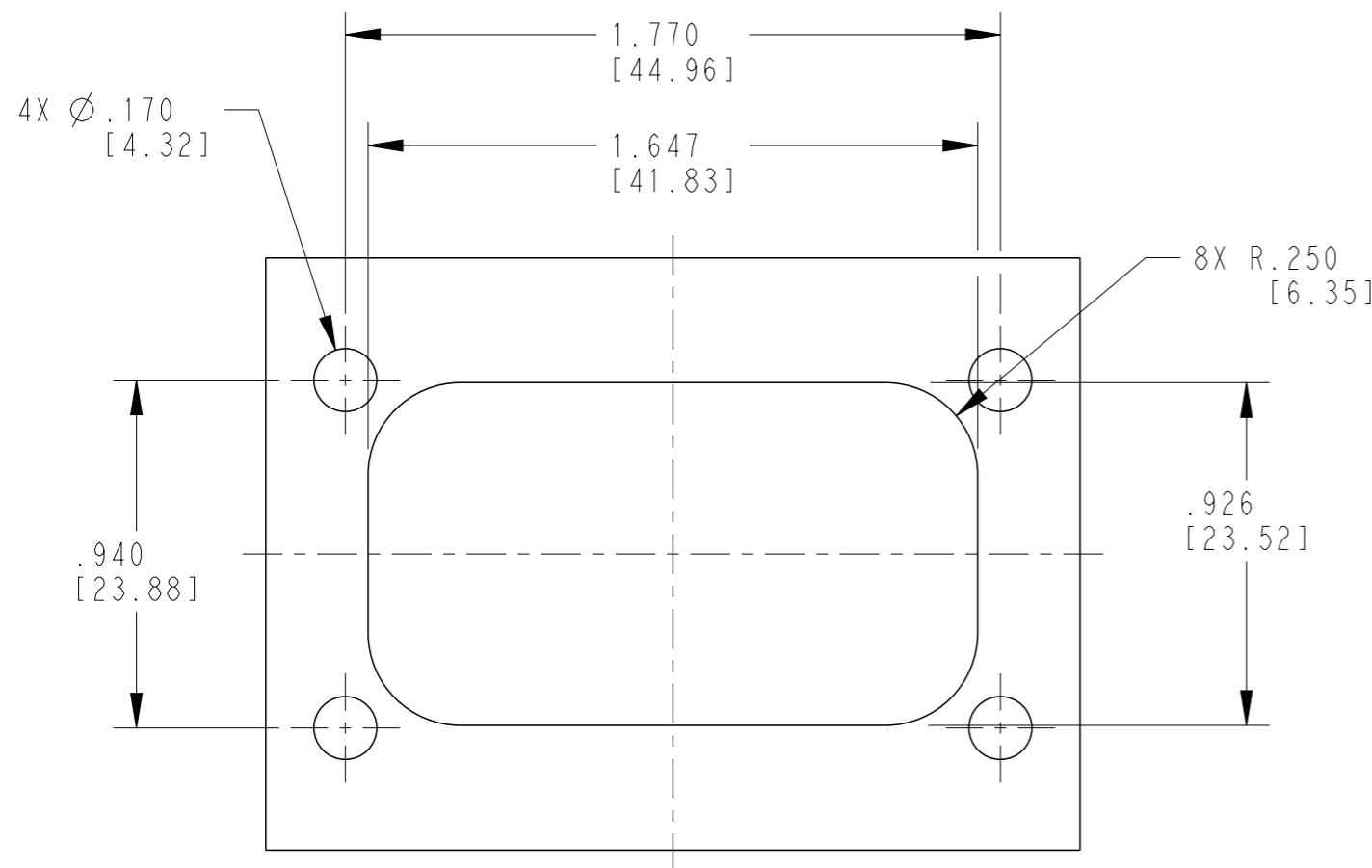
NOTES:

TCPN		ALIAS PART NUMBER	
DT04-12PA-CL06		DT04-12PA-CL06	
CONTACT SIZE	MIN. INSUL. O.D	MAX INSUL. O.D	WIRE RANGE [mm ²]
16	.053 [1.35]	.120 [3.05]	14-20 AWG [2.0-0.5]

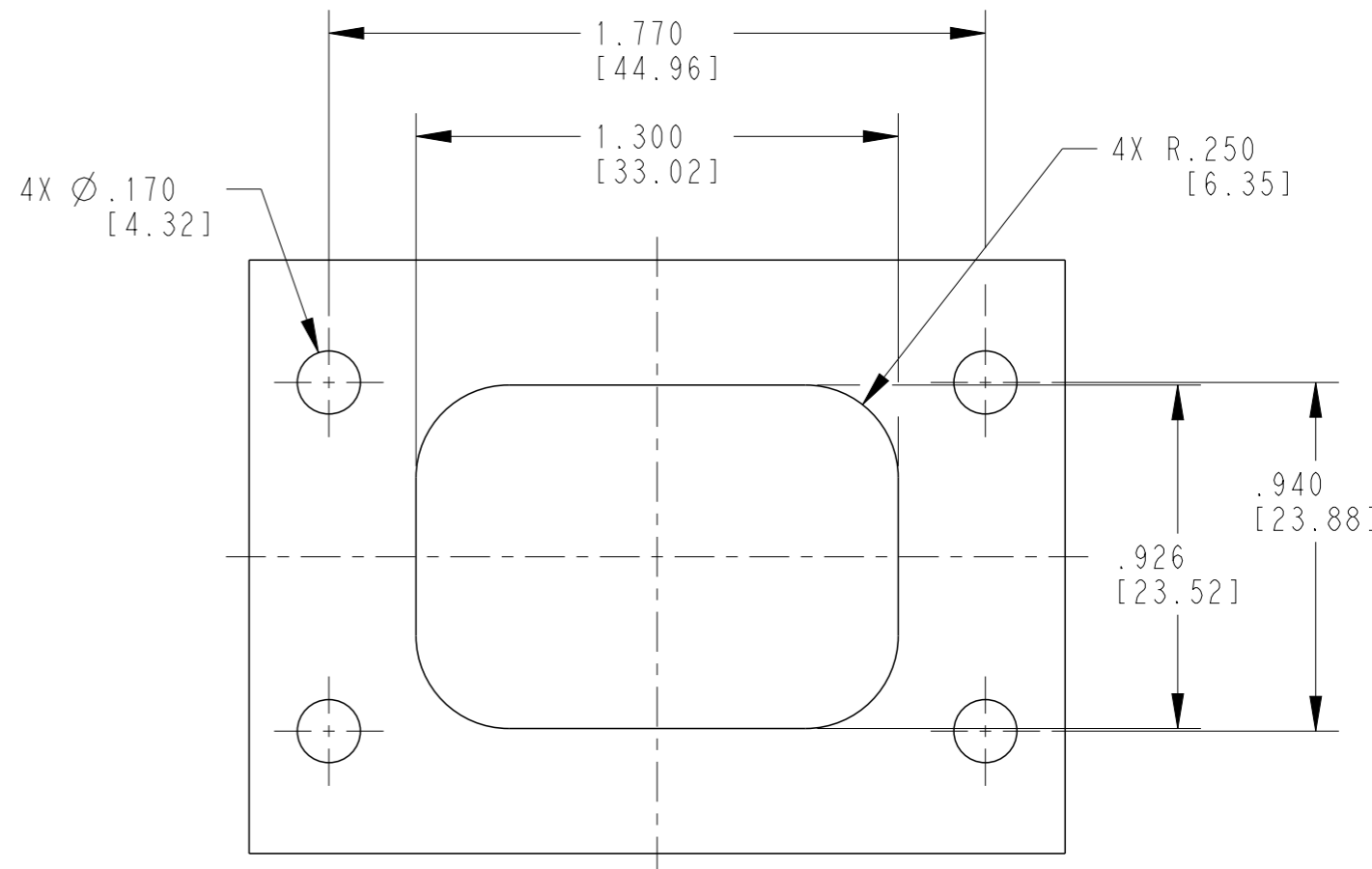
THIS DRAWING IS A CONTROLLED DOCUMENT.		DWN 10AUG2015 MANJUNATH GM		
DIMENSIONS: INCHES [mm]		CHK 10AUG2015 D. MEYER		
TOLERANCES UNLESS OTHERWISE SPECIFIED:		APVD 10AUG2015 D. MEYER	NAME RECEPTACLE, 12PIN -CL06 MOD DT SERIES	
0 PLC ± 1 PLC ± 2 PLC ± 3 PLC ± 4 PLC ± ANGLES ±		PRODUCT SPEC 108-151009	SIZE A3	
MATERIAL		APPLICATION SPEC 0425-017-0000	CAGE CODE 4AFU8	DRAWING NO DT04-12PA-CL06
FINISH		WEIGHT -	RESTRICTED TO -	
4		CUSTOMER DRAWING	SCALE 2:1	SHEET 1 OF 2 REV A

REVISIONS

P	LTR	DESCRIPTION	DATE	DWN	APVD
-	-	SEE SHEET 1	-	-	-

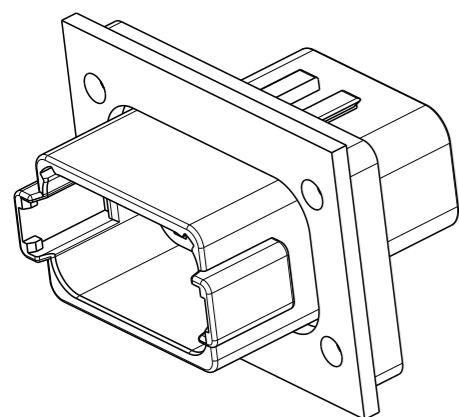


RECOMENDED PANEL CUTOUT FRONT

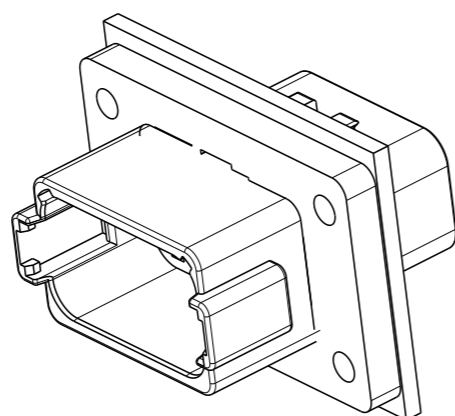


RECOMENDED PANEL CUTOUT REAR

FOR REFERENCE ONLY



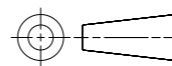
FRONT MOUNT



REAR MOUNT

THIS DRAWING IS A CONTROLLED DOCUMENT.

DIMENSIONS:
INCHES [mm]



TOLERANCES UNLESS OTHERWISE SPECIFIED:

- 0 PLC ±
- 1 PLC ±
- 2 PLC ±
- 3 PLC ±
- 4 PLC ±
- ANGLES ±
- FINISH -

MATERIAL

DWN 10AUG2015

MANJUNATH GM

CHK 10AUG2015

D.MEYER

APVD 10AUG2015

D.MEYER

PRODUCT SPEC

108-151009

APPLICATION SPEC

0425-017-0000

WEIGHT -

CUSTOMER DRAWING

NAME
RECEPTACLE, 12PIN -CL06 MOD
DT SERIES

SIZE CAGE CODE DRAWING NO RESTRICTED TO

A3 4AFU8 ©DT04-12PA-CL06 -

SCALE 2:1 SHEET 2 OF 2 REV A

