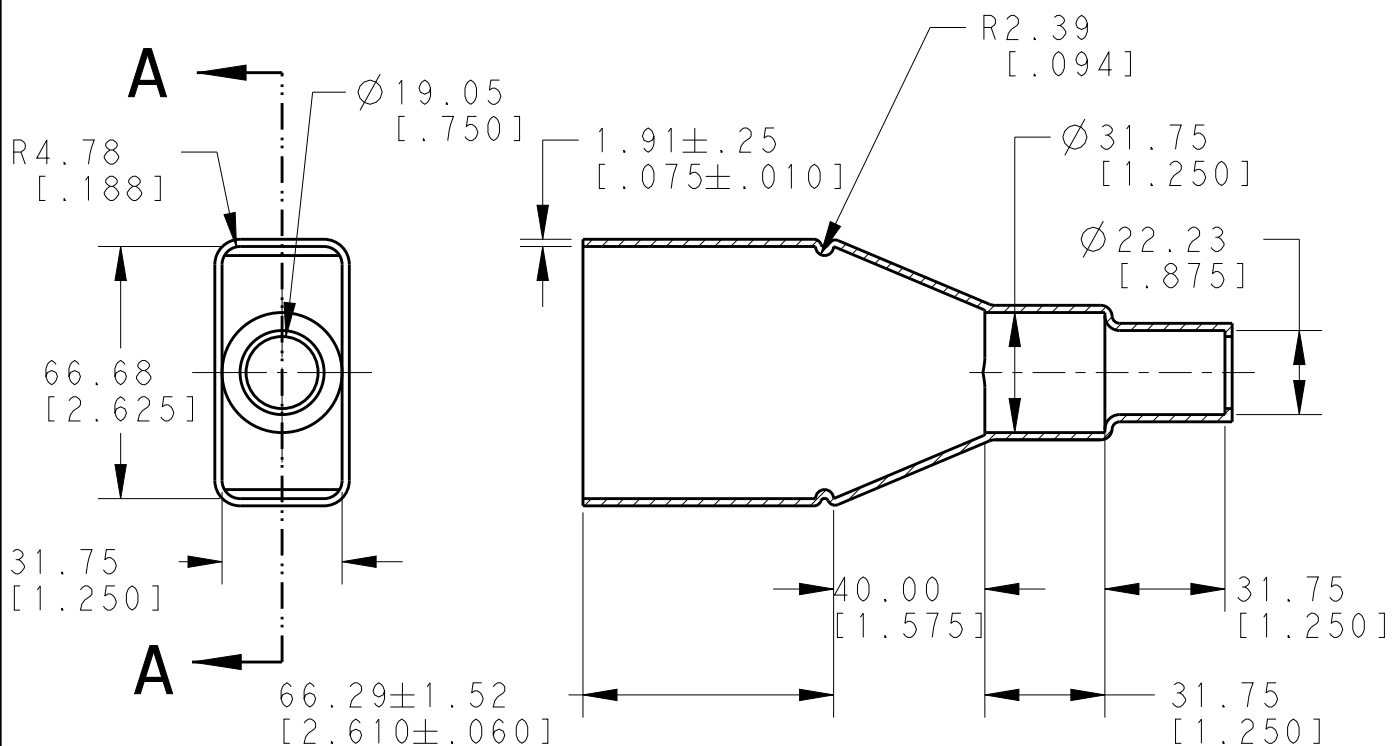


REVISIONS				
P	LTR	DESCRIPTION	DATE	APVD
	A	NEW RELEASE PER ECO-14-009838	07-07-14	DM
	A1	REVISED PER PCN E-18-006789	03MAY2018	SM



SECTION A-A

3. THIS ACCESSORY PART IS PROVIDED WITHOUT TYPICAL TRANSPORTATION INDUSTRY PROCESS CONTROLS. NO VALIDATION TESTING HAS BEEN PERFORMED. CUSTOMER IS RESPONSIBLE FOR DETERMINING PRODUCT PERFORMANCE AND SUITABILITY FOR APPLICATION.


2. TEMPERATURE RATING: -29°C TO +100°C [-20°F TO +212°F]

1. THIS PART IS USED ON DRC26-50SXX-XXXX PLUG WHERE XX=01-10 KEYS AND XXXX=MODIFICATION

TE INTERNAL PN	DEUTSCH PN
DRC26-50BT	DRC26-50BT

2014 RELEASED FOR PUBLICATION ALL RIGHTS RESERVED. BY TE CONNECTIVITY

THIS DRAWING IS UNPUBLISHED. COPYRIGHT 2014

DIMENSIONS: MM[INCH]	DWN D.MEYER	07JUL2014	MATERIAL	PVC	FINISH	BLACK
	CHK D.HASIBUAN	07JUL2014	 TE Connectivity			
TOLERANCES UNLESS OTHERWISE SPECIFIED:	APVD D.MEYER	07JUL2014				
0 PLC ±	PRODUCT SPEC		SIZE	CAGE CODE	DRAWING NO	RESTRICTED TO
1 PLC ±			A 4	4AFU8	©=DRC26-50BT	
2 PLC ±	APPLICATION SPEC		WEIGHT	21.00 G		
3 PLC ±			CUSTOMER DRAWING	SCALE	NONE	SHEET 1 OF 1
4 PLC ±						REV A1
ANGLES ±5°						